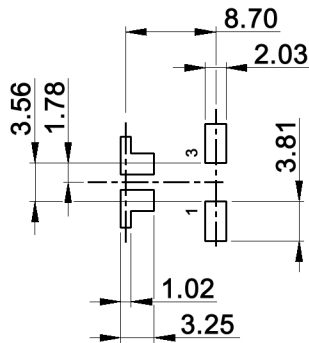


P.C. MOUNTING



SWITCH FUNCTION

Model No.	POS. 1	POS. 2
	SSP 1 Cy R	OFF
Term. Comm.	OPEN	1-3

SWITCH RATING:

code for y	contacts and terminals	rating AC with real load	rating DC with real load
empty	silver-plated over nickel	1A/250V, 3A/120V	3A/28V
B	gold-plated over nickel	0.4VA/20V	0.4VA/20V
S	silver-plated over nickel, terminals tin-plated	1A/250V, 3A/120V	3A/28V
T	gold-plated over silver over nickel, terminals tin-plated	1A/250V, 3A/120V	3A/28V
G	gold-plated over silver over nickel	1A/250V, 3A/120V	3A/28V

obsolete 2013 June



Tolerances: 0.00: ±0.25mm 0.0: ±0.40mm	Date	Name
	10/07	dr
Revised	07/13	dr
Modifications	Date	Name

SSP 1 Cy R

knitter-switch

30 12 65

Page

1/3

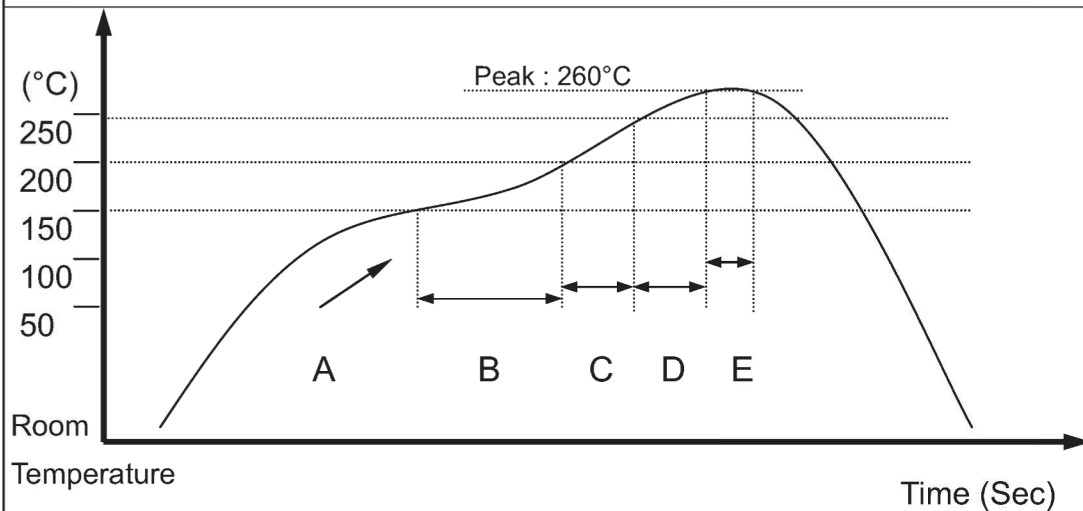
Specifications:

Contact resistance: 20mOhm max. at 2-4V DC
Insulation resistance: 1 000MOhm min.
Dielectric strength: 1 000V RMS
Operating temperature: -30°C to +85°C
Mechanical life: 50 000 make-and-break cycles
IP rating: IP 67
Material: Case / bushing: glass filled nylon 66, flame retardand, heat stabilized (UL94V-0)
 Plunger: thenoplastic polyester (UL94V-0)

Soldering conditions:

Temperature Profile

Zone	Room Temperature	Time (Sec)
Pre-heat (A)	150°C	Min 120s
Soak (B)	180°C ~ 200°C	Min 150s
Peak (C)	200°C ~ 235°C	Min 30s
Peak (D)	235°C ~ 260°C	Min 40s
Peak (E)	260°C	Max 5s



Tolerances: 0.00: ±0.25mm 0.0: ±0.40mm	Date	Name
	10/07	dr
Modifications	Date	Name

SSP 1 Cy R

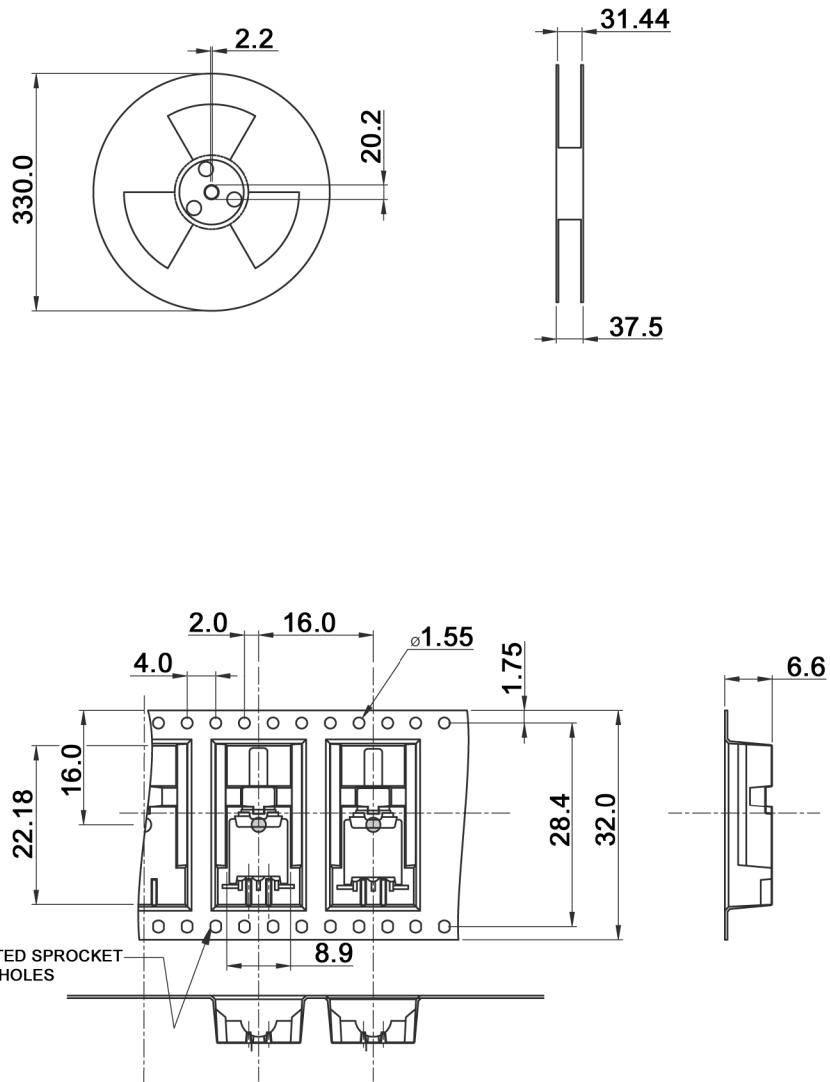
30 12 65

knitter-switch

Page

2/3

Packaging:



Packaging unit: 500 pcs. / reel



Tolerances: 0.00: ±0.25mm 0.0: ±0.40mm		Date	Name	<h1>SSP 1 Cy R</h1>
		10/07	dr	
			knitter-switch	<h2>30 12 65</h2>
Modifications	Date	Name		3/3